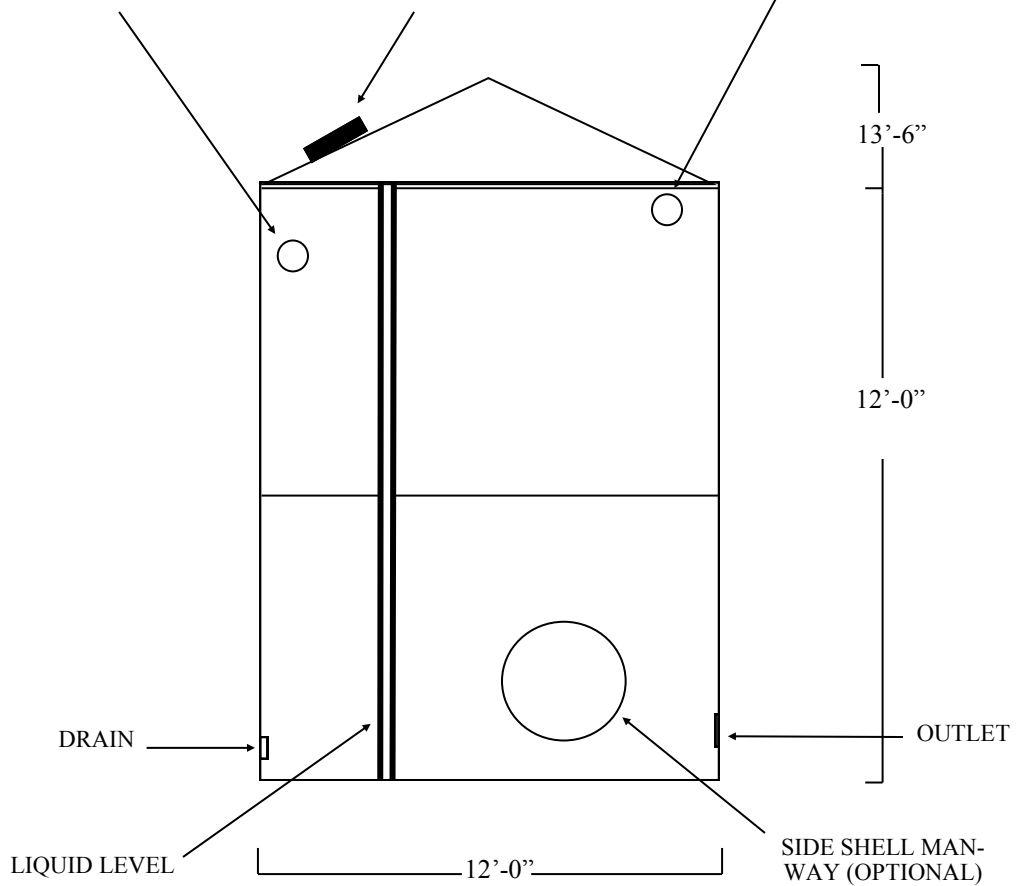


PLAN

INLET CONNECTION WITH
AUTOMATIC FILL DEVICE

MANWAY WITH
LOCKABLE HATCH

OVERFLOW



ELEVATION



NATIONAL STORAGE TANK, INC.
 Phone: (707) 537-7433
 Fax: (707) 540-6045
 Email: info@nationalstoragetank.com
WWW.NATIONALSTORAGETANK.COM

NSTI STANDARD 10,000 NOMINAL GALLON
 12 GA. GALVANIZED STEEL WATER STORAGE TANK

REF CODES: 2010 CBC STRUCTURAL DESIGN
 ATSM A653 GRADE A, G90