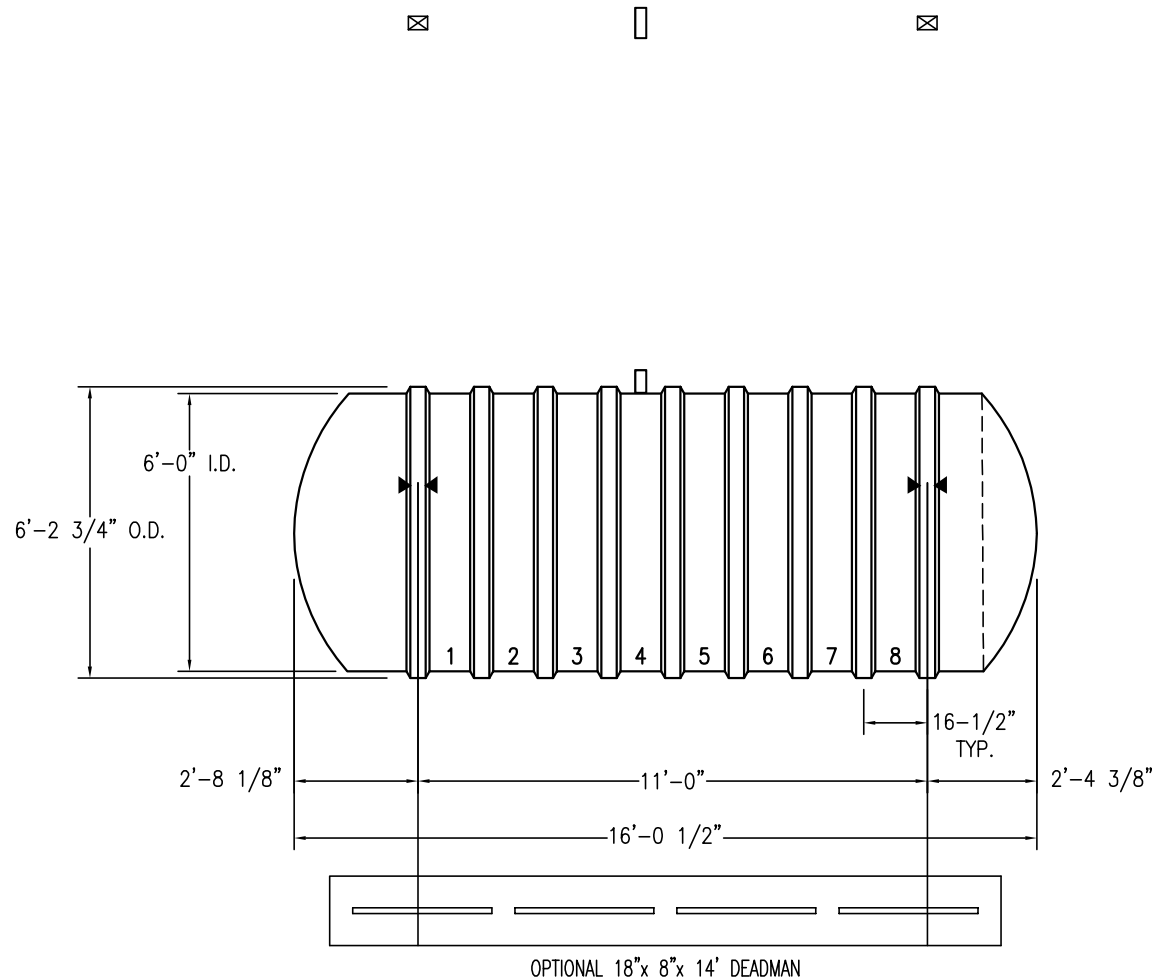


SHELL CODES: 1-E6S09SD, 1-E6SECSD



NOTES:

- ☒ HOLD DOWN STRAP CLIP
- ▶◀ HOLD DOWN STRAP LOCATION
- TYPE "13" LIFT LUG - SD
- TYPE "13" LIFT LUG - HD

SWT D-6 (6')-3000		DATE: 1/1/2014
		DRAWN BY: K.A.SOEDER
CONTAINMENT SOLUTIONS	CAPACITY: 3,187	REVISED:
	WEIGHT: DRY/WET 1500	DWG NUMBER: 63SWD6